

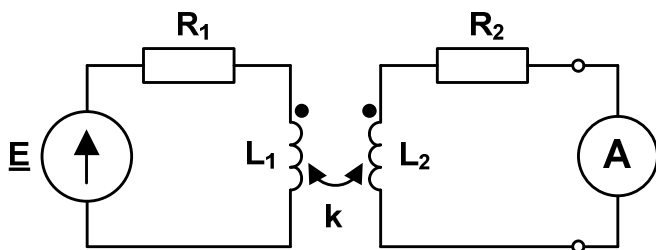
Module name: **Electrical Circuits 2**
 Module ID: **IS-FEE-10085S**
 Module type: **Class**
 Semester: **summer 2023/2024**
 Instructor: **Jarosław Forenc, j.forenc@pb.edu.pl**

Class 4 (19.03.2024)

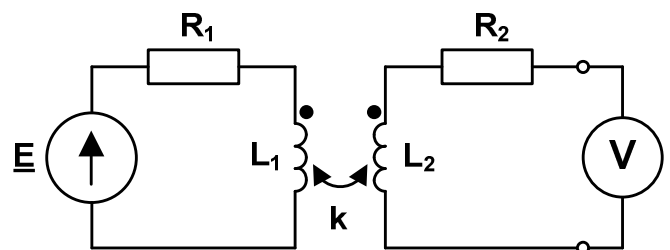
1. The air transformer was connected to the voltage source \underline{E} . Calculate the **readings** of:
 a) **ammeter**, b) **voltmeter**,
 connected to the terminals of the secondary winding.

$\underline{E} = 200 \text{ V}$, $k = 0.8$, $R_1 = R_2 = 20 \text{ } \Omega$, $X_{L1} = X_{L2} = 40 \text{ } \Omega$.

a)

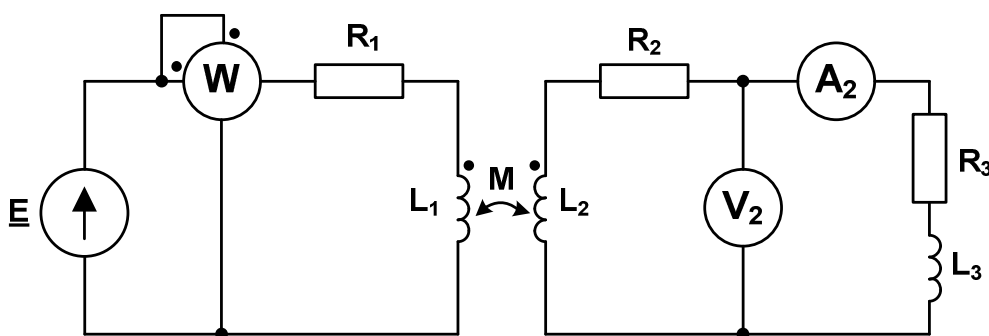


b)



2. For the circuit below determine the results of measurements.

$\underline{E} = 230 \text{ V}$, $R_1 = X_{L2} = X_M = 10 \text{ } \Omega$, $R_2 = 5 \text{ } \Omega$, $R_3 = X_{L1} = X_{L3} = 20 \text{ } \Omega$.



19.03.2024

Jarosław Forenc, PhD

j.forenc@pb.edu.pl